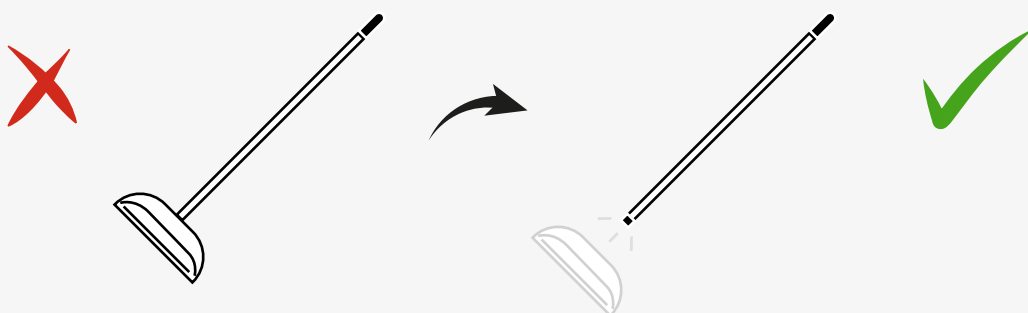
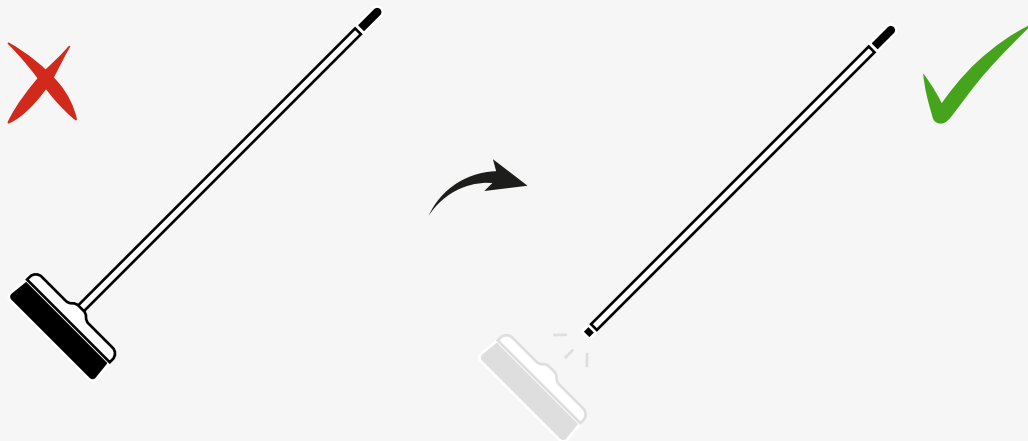
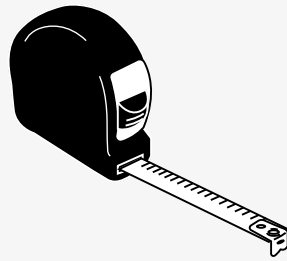


# How to Measure Mattress Sag

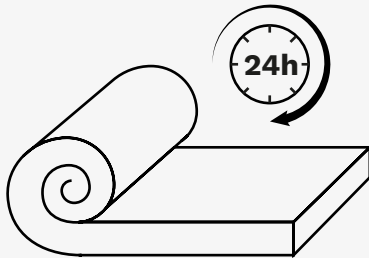
## 1- Things you will need:

For a correct measurement of the sagging mattress, you will need the following materials:

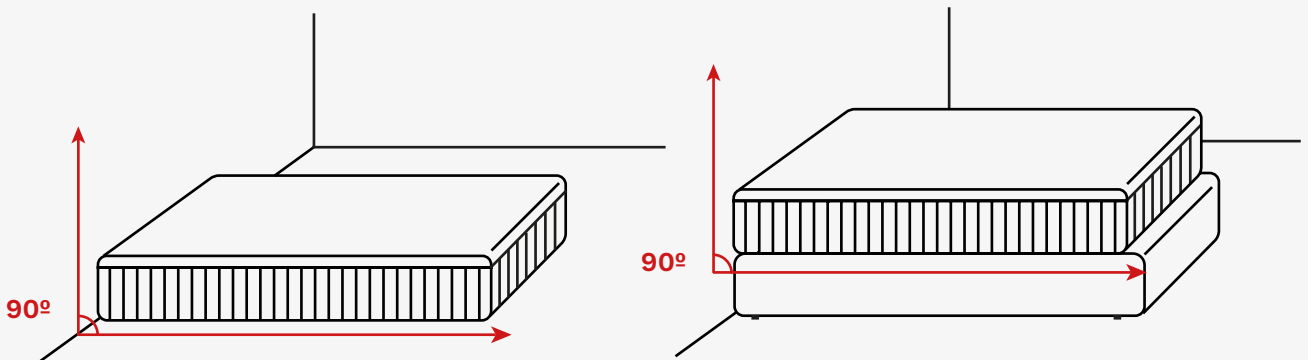
- x1 Measuring tape (in cm)
- x1 Bar or broom (it must be clean in order to not dirty the mattress fabric)
- x1 Short bar (it must be clean in order to not dirty the mattress fabric)



## 2- Preparation:



If the mattress has been compressed-rolled or it has already been used, please wait for at least 24 hours to let it return to its original shape.

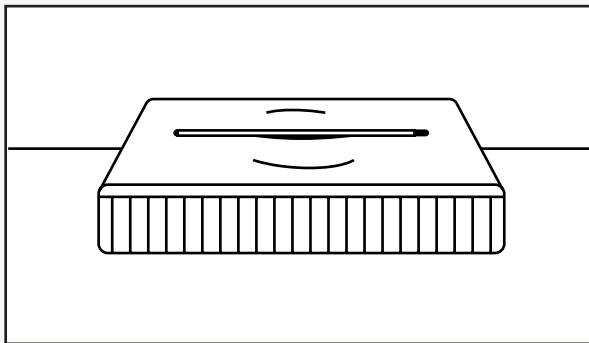


Place the mattress on a rigid and flat surface such as the floor, a bed base or a box spring.

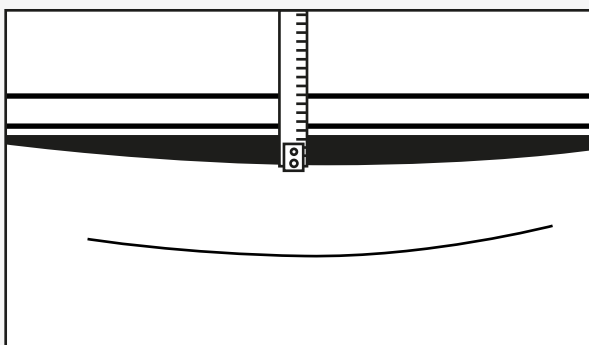
### 3- Take pictures:

#### 3.1 Taking cross-sectional pictures (long bar).

Place the bar transversely within the limits of the mattress, in the central part of the sag or dip.



Overview picture of the mattress.



Detail view picture to measure the depth of the sag.

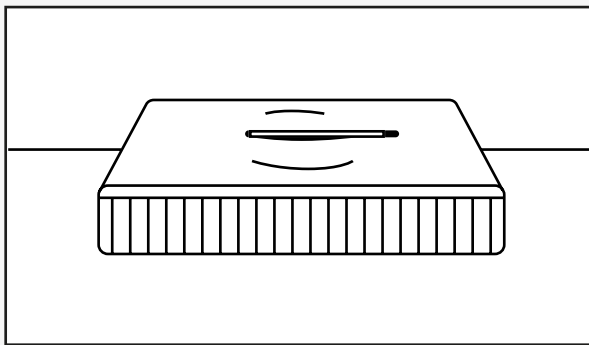


The pictures should be taken at a distance of **1 metre in height and 1.5 metres from the mattress.**

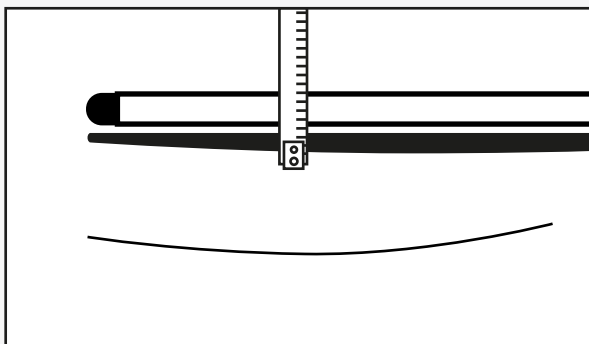
### 3- Take pictures:

#### 3.2 Taking cross-sectional pictures (short bar).

Place the bar transversely within the limits of the mattress, in the central part of the sag or dip.



Overview picture of the mattress.



Detail view picture to measure the depth of the sag.

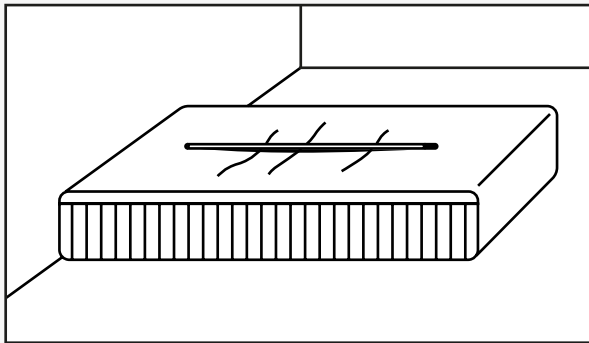


The pictures should be taken at a distance of **1 metre in height and 1.5 metres from the mattress.**

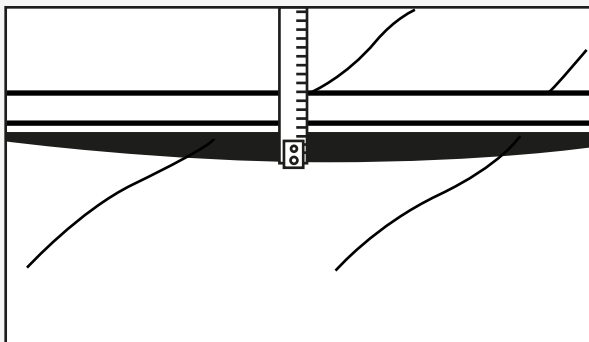
### 3- Take pictures:

#### 3.3 Taking longitudinal pictures (long bar).

Place the bar transversely within the limits of the mattress, in the central part of the sag or dip.



Overview picture of the mattress.

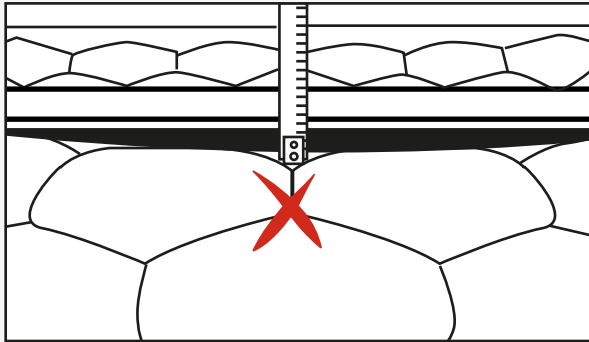


Detail view picture to measure the depth of the sag.

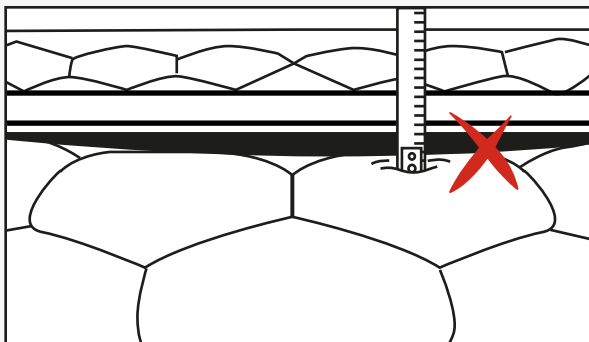


The pictures should be taken at a distance of **1 metre in height and 1.5 metres from the mattress.**

## 4- Not valid pictures



The tape measure must not be pressed against the quilting of the mattress but on the top of the surface of the mattress.



If you are using a measuring tape, be careful to avoid placing too much pressure onto the mattress. This could cause the dip measurement to be deeper than it really is.

GOMARCO